

Life  
made  
easy

## LIMIT 500

ELECTROMECHANICAL BARRIER  
FOR RESIDENTIAL, INDUSTRIAL  
OR PUBLIC USE



# LIMIT 500

## Technical features

Possibility to install a LED signal light on board

Robust ambidextrous beam support in die-cast aluminium



Possibility to install, along the beam length, beam strip LED for crossing-light version or with white light



Manual key and fold-away emergency release lever

Robust steel frame with protective treatment

Micro-switch and mechanical stop adjustment by one screw

Easily accessible built-in control board for appropriate programming

Spherical self-lubricating eyelet-fixed spring for smoother, wear reducing movement

A single spring is provided which, depending on the length of the beam, is fixed to one of the holes in the spring tensioning arm

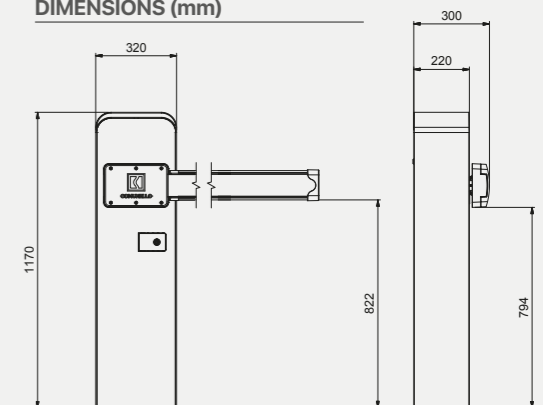


Every single product is duly tested at the end of each assembly line

### TECHNICAL CHARACTERISTICS

	LIMIT 500 24V
Power supply	230 VAC
Motor power supply	24 VDC
Power consumption	150 W
Current input	6,2 A
Torque	300 Nm
Duty cycle	Intensive use
Protection rating (IP)	IP44
Insulation class	2
Working temperature	-20°C / +50°C

### DIMENSIONS (mm)



For beams up to 5 m in length



For beams up to 10 m in length (5+5m)





OFFICIAL DEALER:

 **COMUNELLO**  
**AUTOMATION**

AUTOMATION FOR GATES, DOORS AND BARRIERS

FRATELLI COMUNELLO S.P.A.

HEADQUARTERS

Via Zarpellon, 33

36027 San Giuseppe di Cassola, Vicenza, Italy

Tel. +39 0424 585111 Fax +39 0424 533417

info@comunello.it www.comunello.com

REGISTERED OFFICE

Via Cassola,64 - C.P.79

36027 Rosà, Vicenza, Italy

Tel. +39 0424 585111 Fax +39 0424 533417

info@comunello.it www.comunello.com