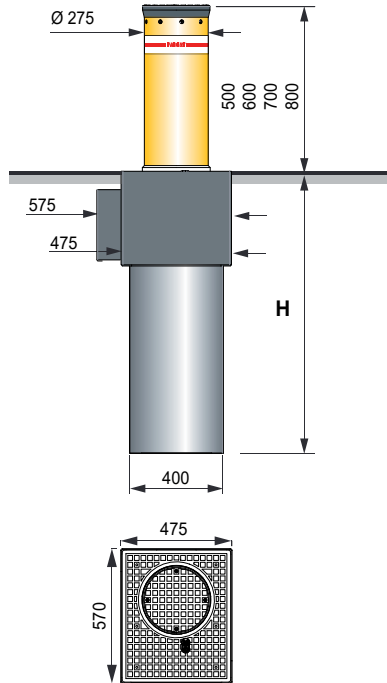




Talos

9450 – 9460 – 9470 – 9480 – 9450/HRC – 9460/HRC – 9470/HRC – 9480/HRC



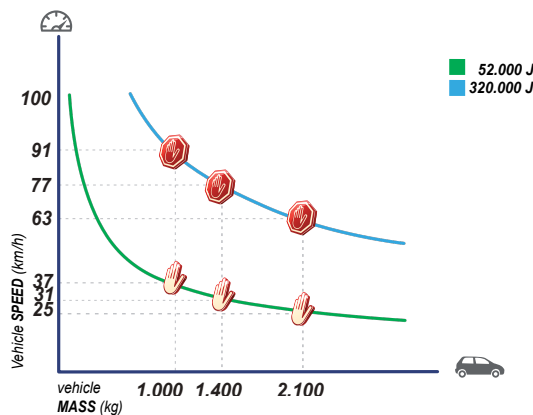
Post diameter	□ 275 mm
Post thickness	4 mm
Post height	500/600/700/800 mm
Post material	S235J steel
Post finish	polyester powder coating RAL 1028
Post material inox version	AISI 304 / AISI 316 stainless steel
Foundation casing	hot dip galvanized
Working temperature	-20 °C +80 °C (-40 °C+80 °C with heater)
Oil type	FADINI oil code 708L
Power supply	230 Vac - 50 Hz
Absorbed power	1.100 W
Absorbed current	1,8 ÷ 3,5 A
Protection class of oil-hydraulic motor-pump	IP 67
Frequency of use	very intensive

Impact resistance	52.000 J model HRC – 70.000 J
Breakout resistance	320.000 J model HRC – 420.000 J
Max. Static load	20.000 kg

Post travel (mm)	Constraint (mm)	H (mm)
500	200	830
	200	1.010 (*)
	400	1.010
600	200	1.010
	400	1.210
	400	1.210
700	200	1.010
	400	1.210
	400	1.210
800	200	1.210
	400	1.310

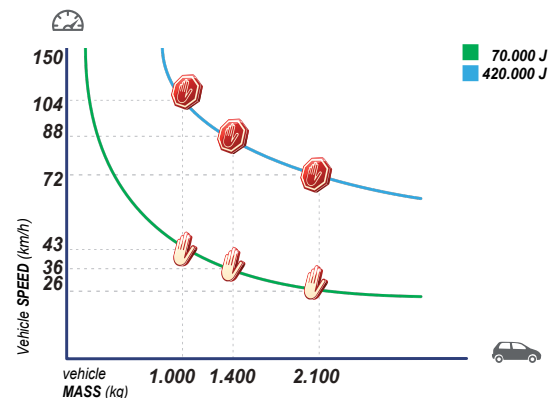
(*) Foundation casing on request, not standard

4 mm



Various factors, such as the compaction index, soil permeability coefficient and kind of concrete may reduce the values indicated in the diagram even significantly.

4 mm / HRC



Various factors, such as the compaction index, soil permeability coefficient and kind of concrete may reduce the values indicated in the diagram even significantly.